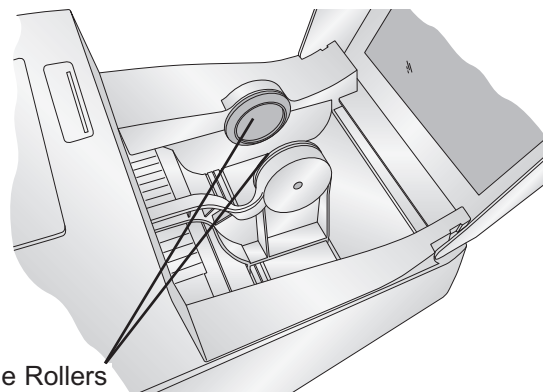


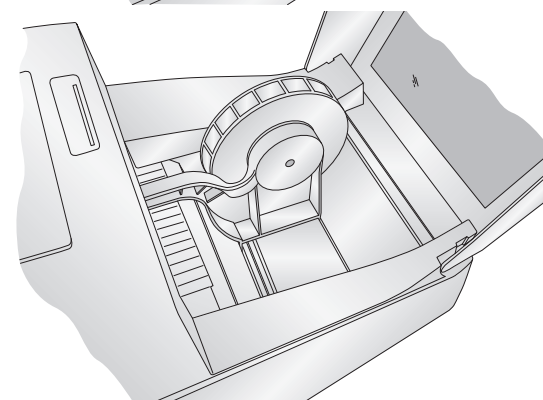
5 Installing Label Stock

(continued)

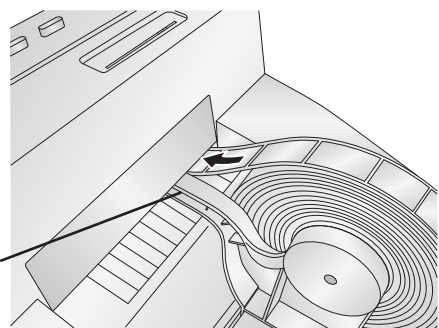
- Place the label roll between the Stock Guide Rollers and release the spring-loaded stock guide to hold the label stock. The Stock Guide Rollers allow the label stock roll to move freely.



Stock Guide Rollers



- Place the leading edge of the label stock between the throat guide and the side of the printer.



Throat Guide

- Feed the label stock further into the printer until it senses the label and automatically feeds it through the printer.

Note: If you are using fan-fold label stock or label stock other than standard square / rectangular die-cut labels see sections 2F and 2G in the Users Manual before continuing.

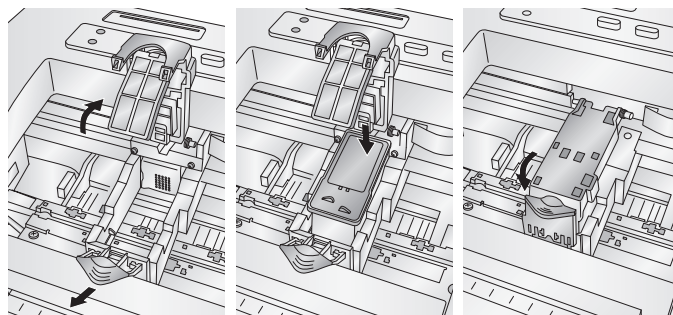
6 Installing Ink Cartridges

If using a PC:

To install the cartridge for the first time, click the **Install Cartridge** link in the installer and follow the on screen prompts. Refer to section 2H for standard cartridge change instructions.

If using a Mac:

- Open the Hard Drive \ Applications \ Utilities
- Click on the Printer Setup Utility.
- Select the Color Label Printer.
- Click the Utility button on the menu bar.
- Click the Change Cartridge button.
- Open the Top Cover of the printer
- The Cartridge Carrier will align itself to the center of the print area.
- Press the Cartridge Cover Release to open the Cartridge Holder.
- Replace/install the cartridge copper end first.
- Remove the new Cartridge from its packaging. Be sure to remove the protective tape covering the nozzles.
- Push cartridge cover downward until it snaps in place.



- Click **OK** on your screen to indicate the new cartridge is now installed. Once you click **OK** you will be prompted to align the cartridge. The printer will automatically align the cartridge. You must use label stock at least 4"X 3" such as the sample stock that was shipped with the printer. See section 2H in the manual for additional information.

LX400e

COLOR LABEL PRINTER



Quick Start

PRIMERA

© 2009 All rights reserved

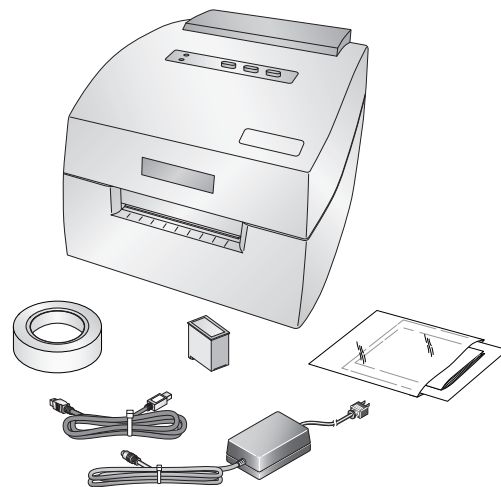
P/N 510985 - 090323

1 Unpacking Your Printer

The following items are contained inside the box:

- Printer
- Power Adapter
- Separate Power Cord
- USB Cable
- Software Installer CD
- Color Ink Cartridge
- Starter roll of high gloss label stock
- Warranty Statement and Registration Card
- This manual and other printed information

Save the carton and packing materials. They will come in handy when transporting the printer.

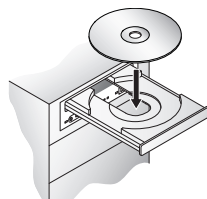


2 Installing the Software

Installing the PC Software

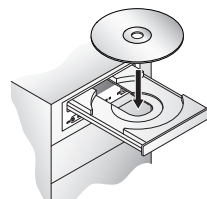
The Installer Disc has a menu that will guide you through the process of setting up your printer. Please refer to the following for more information on each step:

1. Place the Installer CD in your CDRom Drive. The Installer application should automatically launch in a few moments. If it does, proceed to Step 2. If it does not automatically launch, follow these steps:
 - Double-click the My Computer Icon, then double-click the icon of the appropriate CD drive containing the Software Installer disc.
 - Double-click Installer.exe
2. In the Installer Application, click the **Standard Install** button. Steps 3-8 are shown below as well as on the monitor. You may follow either to complete the setup.



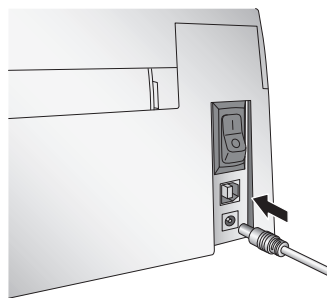
Installing the Mac Software

1. Insert the Installation CD-ROM in your system's CD-ROM drive.
2. Double-click the CD-ROM icon.
3. Double-click on the **Color Label Installer.mpkg** file icon. Follow the on-screen instructions.
4. The volume containing the operating system should be selected for installation. Click the **Continue** button. All components will be installed to their proper locations.
5. Once the installation has completed, click **Quit**.



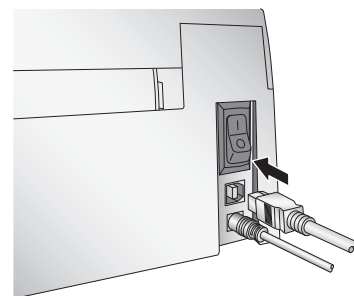
3 Connecting Power

1. Locate the power adapter supplied with your printer.
2. Place one end of the adapter cord into the power port on the rear panel of the printer.
3. Plug the power cord of the adapter into an available wall outlet or surge protecting power strip. Once the power cord is connected, the printer can be switched on and off using the power switch.



4 Connecting the USB Cable / Installing the Printer Driver

Connect the printer to your PC or Mac with your beige USB 2.0 Cable.



4 Connecting the USB Cable

(continued)

If you are using a PC:

After a few moments, Windows will tell you it has found new hardware and is looking for software to install it.



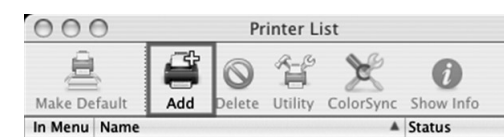
Select "Install the software automatically" and click **Next**. You may see a notice like the one shown here stating that the Printer has not passed Windows Logo Testing. Click **Continue Anyway** to continue installing the printer driver for your Publisher.



If you are using a Mac:

When connecting USB to a Mac it may be necessary to Add the printer via the Printer Setup Utility.

1. Open the Printer Setup Utility located in the Applications -Utilities folder.



4 Connecting the USB Cable

(continued)

2. Click **Add**. Select the Color Label 400 from the list of available printers. Click **Add** again.

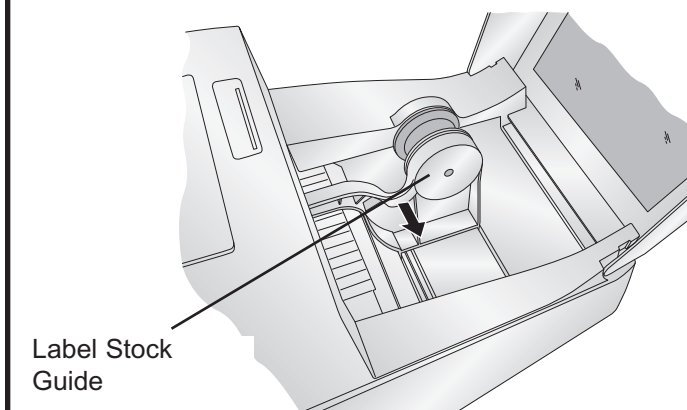


Note: These instructions and screen captures are for use with OS 10.4.x

5 Installing Label Stock

Your printer will utilize a wide variety of paper label stock. See Section 6 in the Users Manual for label and roll specifications.

1. Open the Top Cover.
2. Pull the spring loaded label stock guide out far enough to fit the label roll.



Label Stock Guide

Note: Remove any shipping tape from your label stock roll to ensure that it can unroll freely, making certain that no adhesive portion is exposed.