

# Optical Disc Laminator

## Connectivity Guide

**Notices:** The information in this document is subject to change without notice. NO WARRANTY OF ANY KIND IS MADE WITH REGARD TO THIS MATERIAL, INCLUDING, BUT NOT LIMITED TO, THE IMPLIED WARRANTIES OF MERCHANTABILITY AND FITNESS FOR A PARTICULAR PURPOSE. No liability is assumed for errors contained herein or for incidental or consequential damages in connection with the furnishing, performance, or use of this material. This document contains proprietary information, which is protected by copyright. All rights are reserved. No part of this document may be photocopied, reproduced, or translated into another language without prior written consent.

**Trademark Acknowledgments:** Windows is a registered trademark of Microsoft Corporation. All other trademarks are the property of their respective owners.

**Printing History**

Edition 1.0, #510887, © Copyright 2004, All rights reserved.

# Table of Contents

<b>Optical Disc Laminator Guide</b> .....	1
A. Unpacking and Inspection .....	1
B. Installing the Laminator Software Driver .....	1
C. Connecting the Laminator to Your Duplicator .....	3
D. Creating Discs with Your Duplicator MAX in Primo .....	7
E. Connecting the Laminator to Your Duplicator XL/Pro .....	7
Stand-Alone Mode .....	8
Full Production Mode .....	11
F. Troubleshooting .....	15
G. Technical Support .....	15

## Interactive Feature in this PDF Document

There are interactive features that will allow you to jump to different locations within the document. Each listing in the Table of Contents is interactive. Place the cursor on either the words or the page number. A small hand with a pointing finger icon appears. Click on the line with the icon and the document will jump to that page. If you want to return to the Table of Contents, move the icon to the top of the page and click on the arrow marked TOC.

# Optical Disc Laminator Connection Guide

## THANK YOU...

Thank you for purchasing the Optical Disc Laminator Connectivity Kit. This kit will allow you to use your Optical Disc Laminator in conjunction with the Pro, XL and MAX versions of Optical Disc Duplicators. This guide will explain the connection of the Laminator to these systems, the installation of software and the running of disc jobs.

## A. UNPACKING AND INSPECTION

While unpacking your Laminator Connectivity Kit make sure that all supplied accessories are included with your kit. The following items are included:

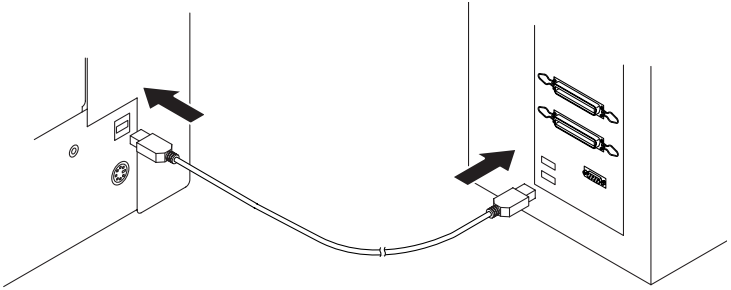
- Laminator Stand
- Software Installer Disc
- USB Cable
- 6-Pin Mini Circular Cable (Pro/XL Stand only)
- Warranty Statement, Manual and other documentation.

## B. INSTALLING THE LAMINATOR SOFTWARE DRIVER

When using the Laminator with a Primera Technology Disc Duplicator it will be necessary to install a driver. This driver will allow the PC to control the functions of your Laminator. Because your Disc Laminator is a plug-and-play device, do not connect the Laminator's USB cable to the PC until instructed to do so by the installer. The driver is installed as follows:

- a. This installer will reboot your system so make sure all applications are closed. Insert the Software Driver Install disc into your PC's CD-ROM drive
- b. The Installer Quick Start program should launch. If it does, proceed to step c. If not, please follow these steps:
  - Click the **Start** button in the lower left hand side of the screen, and then select **My Computer** from the menu.
  - Double-click the **Disc Laminator Installer** icon.
- c. Choose the Duplicator you are using, either Duplicator XL/Pro or Duplicator MAX.
- d. You will now be prompted to install and update to Primo DVD that will allow you to print, record and laminate unattended. Click **Next** to install the update.

- e. Make certain the Laminator has been plugged into power and turned on.



- f. Select "Install Software Automatically" and click Next.



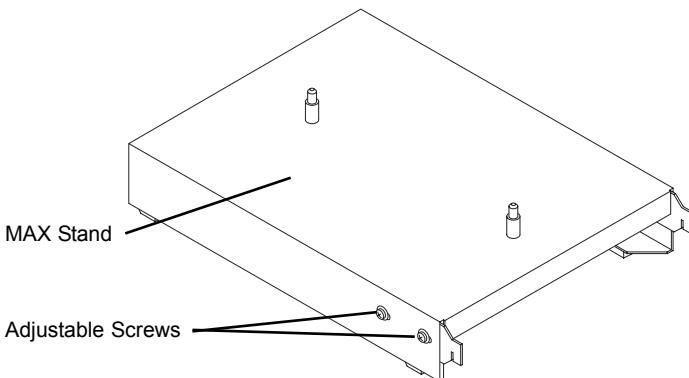
- g. You may see a notice like the one shown here stating that the Accent Disc Laminator has not passed Windows Logo Testing. Click the **Install Anyway** button to continue installing the printer driver for your Laminator.



Once the driver has finished installing, click the **Finish** button. This will install an update to your PrimoDVD software and will reboot your system.

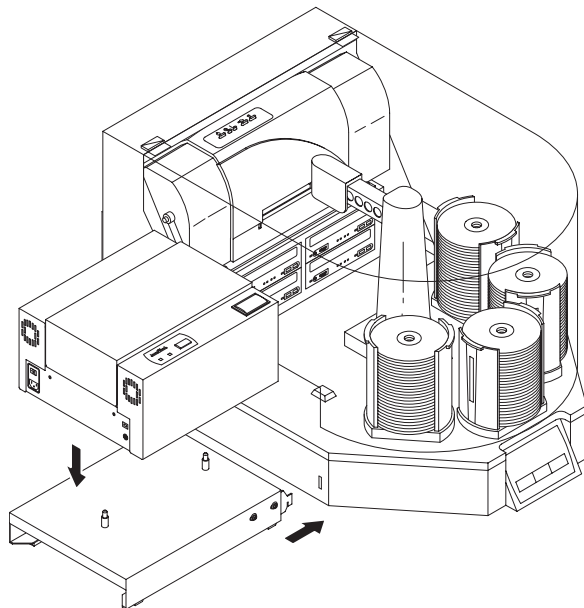
## C. CONNECTING THE LAMINATOR TO YOUR DUPLICATOR MAX

Your Laminator connects easily to a DuplicatorMAX allowing for hands-free printing, recording and laminating of Optical Discs. This configuration does require you to remove one bin bringing total capacity from 400 to 300 discs. The optional DuplicatorMAX Laminator Stand is shown here:



The following steps describe in detail how to connect the Laminator to your DuplicatorMAX:

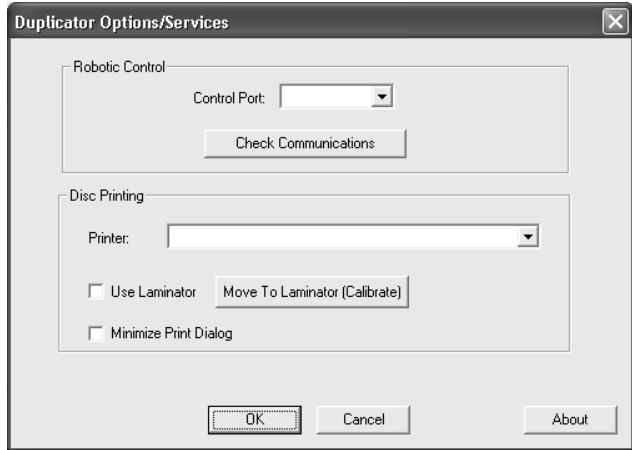
- a. Connect the Laminator Stand to the left hand side of the DuplicatorMAX as shown:



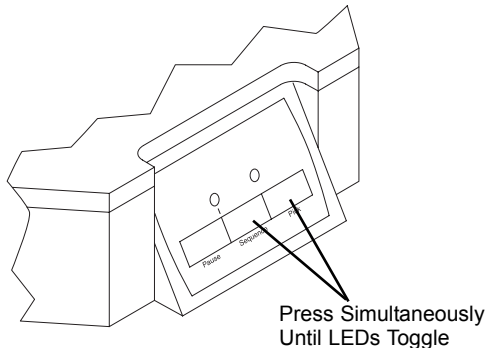
- b. Remove the Input Bin closest to the Laminator Stand to make room for the Laminator's disc tray.
- c. Place the Laminator on the stand using the Locating Pegs to align the Laminator properly.
- d. Connect your Laminator to the PC using the provided USB Cable.
- e. The Laminator must now be aligned with the DuplicatorMAX Picker Mechanism. This is done as follows:
  - 1) If the Laminator Tray is not in the "OUT" position, press the Laminator Button on the Laminator to eject the tray. Make certain the DuplicatorMax has been connected to the computer and is on and ready to use.
  - 2) Press the Sequence Button on the front of the DuplicatorMax until the picker mechanism is positioned over a bin containing discs.
  - 3) Press the Pick Button on the front of the DuplicatorMax to pick a disc.
  - 4) Launch PrimoDVD Pro .



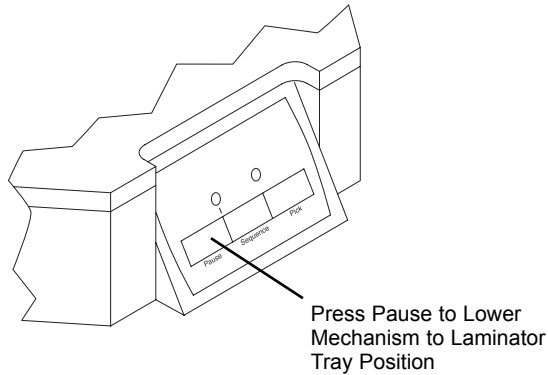
- 5) From the Main Application Screen click **Robotics** then **Options**.
- 6) Enable the **Use Laminator** checkbox.
- 7) Click the button labeled **Move to (Calibrate)**. This will move the Picker Mechanism to the Laminator Tray position.



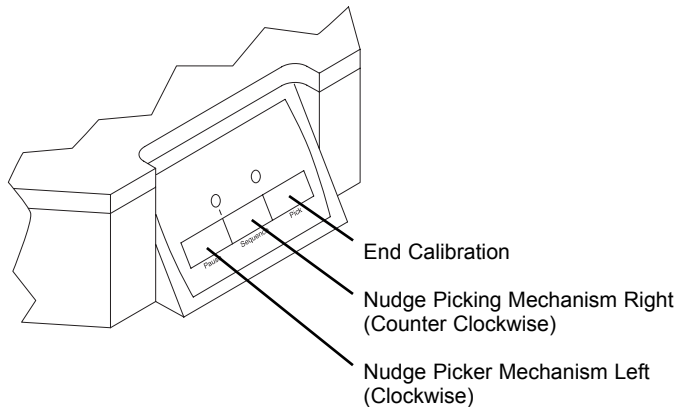
- 8) Lower the disc to the Laminator Tray Position as follows:
  - a) Press and hold the **Sequence** and **Pick** buttons simultaneously for 5 seconds to enter calibration mode. The LEDs on the front of the DuplicatorMAX will flash back and forth indicating that the unit is in calibration mode.



- b) While the LEDs are flashing, press the **Pause** button. The Picking Mechanism will lower to the Laminator Tray Position.



- c) Adjust the Laminator Tray forward and back by loosening the adjusting screws located towards the front of the stand.
- d). For left-to-right adjustment, nudge the Picker Mechanism left by pressing the Pause Button or nudge it right by pressing the Sequence Button.



- e) Once the Picking Mechanism and Disc are perfectly aligned press the Pick Button to end calibration

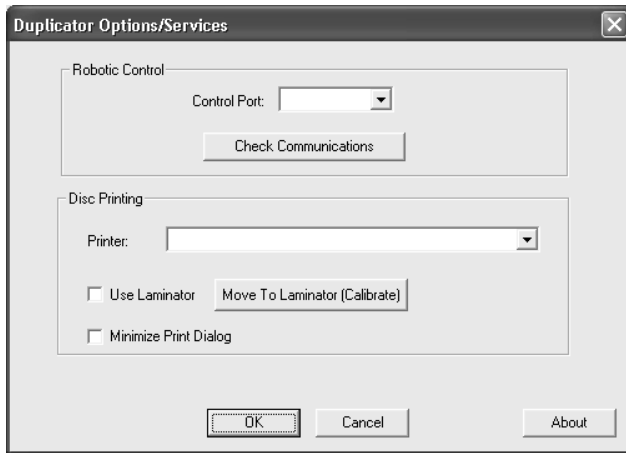
- f) Tighten the Adjusting Screws on the front of the Laminator Stand to lock the stand in position.
9. You have now calibrated your Laminator to the Duplicator MAX and are ready to produce discs!

---

## D. CREATING DISCS WITH YOUR DUPLICATOR MAX IN PRIMO

Laminating your disc jobs is very simple. This is done as follows:

1. From the Main Application Screen click **Robotics** then **Options**. Enable the Use Laminator checkbox as shown:



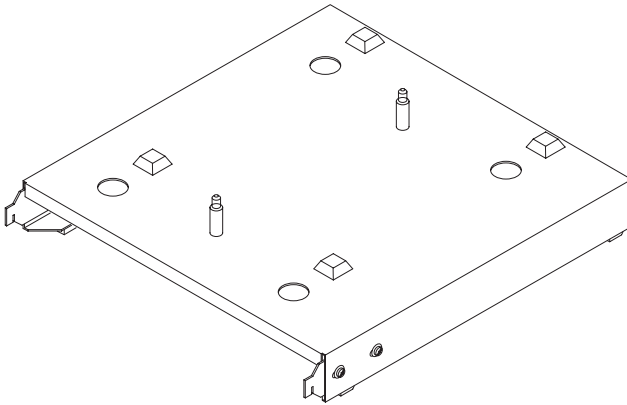
2. Set up your print and record job as you normally would per the instructions in the Duplicator MAX User Manual.
3. Click the Red Circle Record button to start your job!

---

## E. CONNECTING THE LAMINATOR TO YOUR DUPLICATOR XL/PRO

Your Laminator connects easily to Duplicator Pro and Duplicator XL duplicators. There are two possible configurations, Automated Stand-Alone Mode and Full Production Mode. Automated Stand-Alone Operation allows you to use the Laminator in place of a CD Printer. You can then laminate pre-printed discs without having to connect the Duplicator or Laminator to a PC. Full Production Mode allows you to record, print and laminate discs all in one operation.

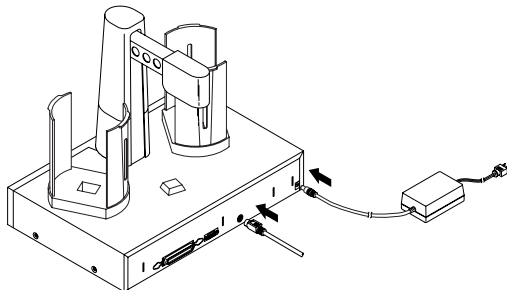
The Laminator is positioned at the front left corner of the Duplicator. The optional Duplicator XL/Pro Laminator Stand is needed for both of these configurations. The stand is shown here:



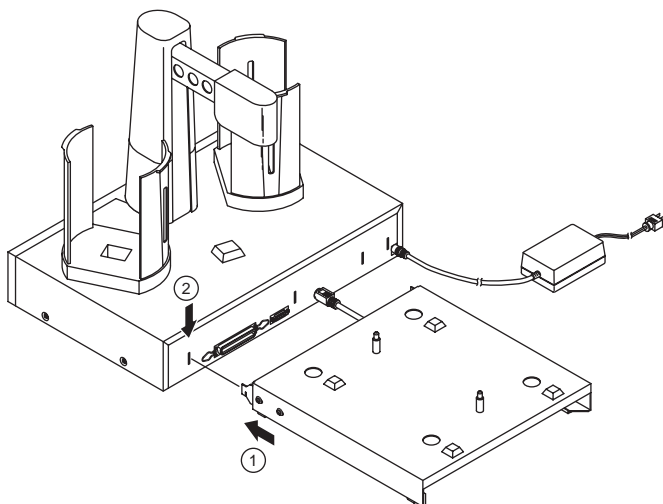
## STAND-ALONE MODE

The Automated Stand-Alone Mode allows you to connect the Laminator to the Duplicator XL or DuplicatorPro without connecting either the Duplicator or Laminator to a PC. This mode is used when you simply want to load the Duplicator with 100 printed discs and laminate them unattended. The Laminator will take the place of a printer in this configuration. Stand-Alone Mode is set up as follows:

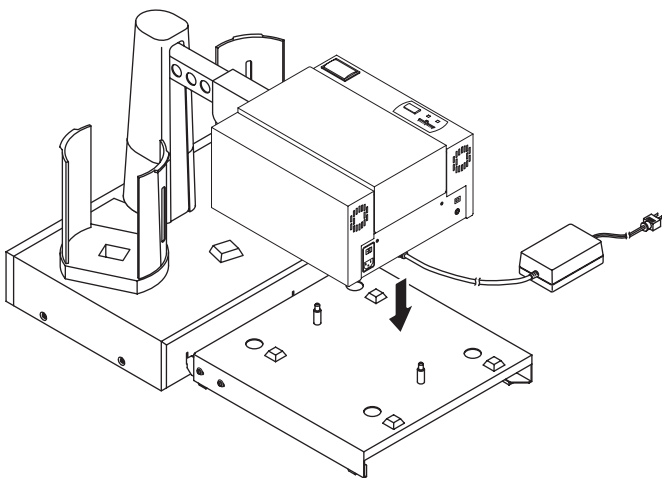
1. Laminate a few discs in Stand-Alone configuration as described in the Laminator User's Manual to ensure the Laminator is configured to properly laminate your discs.
2. If present, remove the Printer Stand and Printer from the back of the Duplicator.
3. Make sure both the Power and Auxiliary Control Cable are connected to the Duplicator as shown:



4. Connect the Laminator Stand to the back of the Laminator as shown:

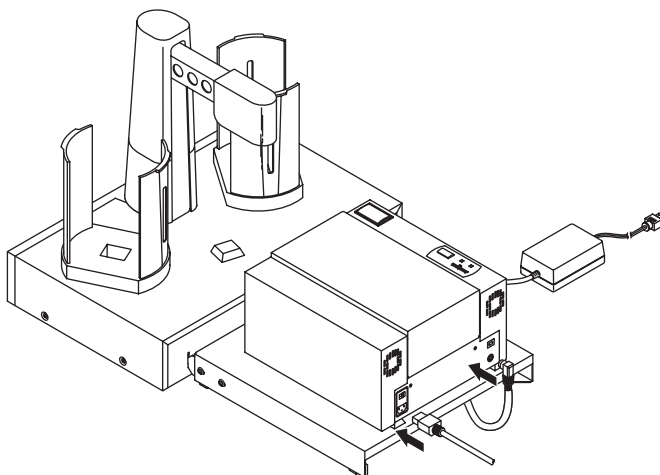


5. Place the Laminator on the Laminator Stand as shown:



There are two sets of holes on the underside of your Laminator. Set the Laminator on the stand locating the smaller set of holes on the metal locating pegs on the Laminator Stand. **Make certain the Laminator's rubber feet are resting on the stand and *not* in the four large holes in the stand.**

6. Connect the Auxiliary Control Cable and Power Cable the Laminator as shown:



7. Align the Laminator's tray position to the picker. This is done as follows:
  - a. Make certain the Laminator has power and is turned on.
  - b. Load a disc into the Input Bin. This is the Bin on the right side of the Duplicator.
  - c. If the Laminator Tray is not in the OUT position, press the **Laminate** button to eject the Laminator Disc Tray.
  - d. Press the **Sequence** button on the front of the Duplicator until the Picker is over the Input Bin. Press the **Pick** button on the front of the Duplicator to pick a disc.
  - e. Repeatedly press the **Sequence** button on the front of the Duplicator until the Picker Arm comes to rest over the Laminator's Disc Tray.
  - f. Press and hold the **Pick** button on the front of the Duplicator for 5 seconds. The disc should automatically and hover just over the Laminator's Disc Tray.
  - g. Loosen the Laminator Tray's 4 adjusting screws and move the Laminator around until the disc in the Picker aligns properly with the Laminator's Disc Tray. Once you are satisfied with the positioning, tighten the screws. Press the **Pick** button on the front of the Duplicator. The disc will now be deposited into the Laminator's Disc Tray. Press the **Pick** button a few more times to pick and place discs into the laminator tray ensuring the alignment is accurate.

8. The Laminator is now aligned properly. Once the Laminator's Heat Roller has achieved proper operating temperature (indicated by a solidly lit Ready LED on the Laminator's Control Panel), you are ready to laminate discs. Load the input bin with discs and press the Laminate button. Discs will be automatically picked from the input bin, loaded into the laminator, and deposited in the output bin when finished. This will repeat until the Input Bin is empty.

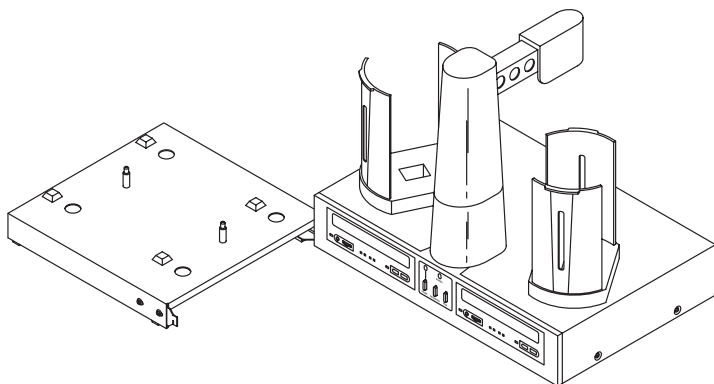
**NOTE:** *If the Picking Mechanism will not pick a disc from the Laminator Tray, make certain the Laminator is sitting on the Stand correctly. The Laminator's Rubber Feet should be resting on the stand, not in the four holes located on top of the stand.*

9. When the Input Bin is empty, you will see the Ready LED on the Laminator's Control Panel flashing slowly indicating a Disc Out error and the Pick LED on the Duplicator Control Panel will be flashing quickly. If you wish to continue, load the Input Bin with discs, and press the **Pick** button on the Laminator.

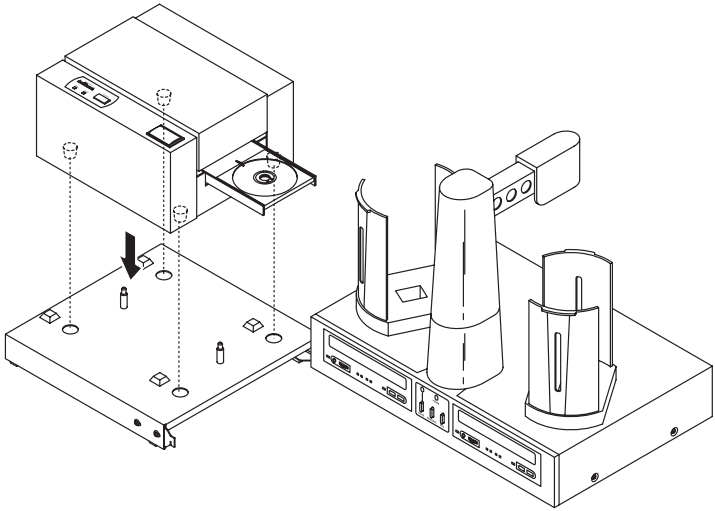
## FULL PRODUCTION MODE

In Full Production Mode, you connect the Laminator to the Duplicator XL or DuplicatorPro in addition to your printer. This allows for the fully automated recording, printing and laminating of your discs. This will require more desk space than the Stand-Alone Lamination configuration described in the previous section. This mode is set up as follows:

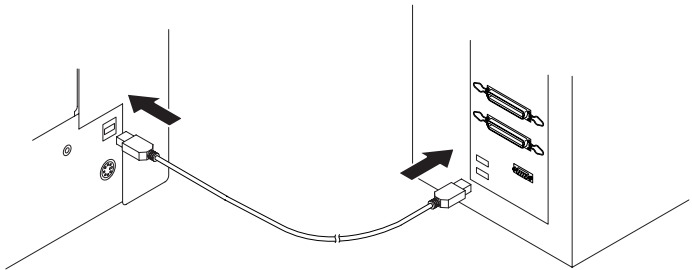
1. Install the Laminator Software as described in this manual.
2. Laminate a few discs in Stand-Alone configuration as described in the Laminator User's Manual to ensure the Laminator is set up to properly laminate your discs.
3. Place the Laminator Stand in front and to the left of the Duplicator as shown:



4. Place the Laminator on the stand. The Laminator will need to be placed on the stand with the Laminator's rubber feet resting in the four holes located on the top of the Stand as shown:



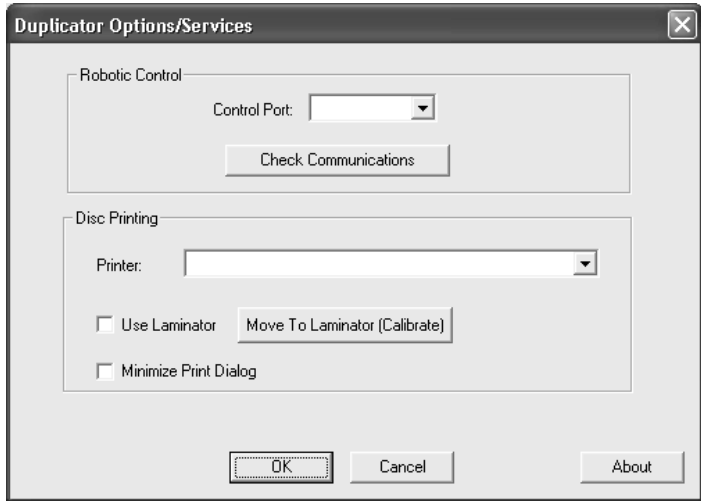
5. Using the provided USB Cable, connect the Laminator to your PC as shown:



6. Align the Laminator's Disc Tray position for proper picking and placement of discs. This is done as follows:
  - a. Make certain the Laminator has power and is turned on.
  - b. Load a disc into the Input Bin. This is the Bin on the right side of the Duplicator.



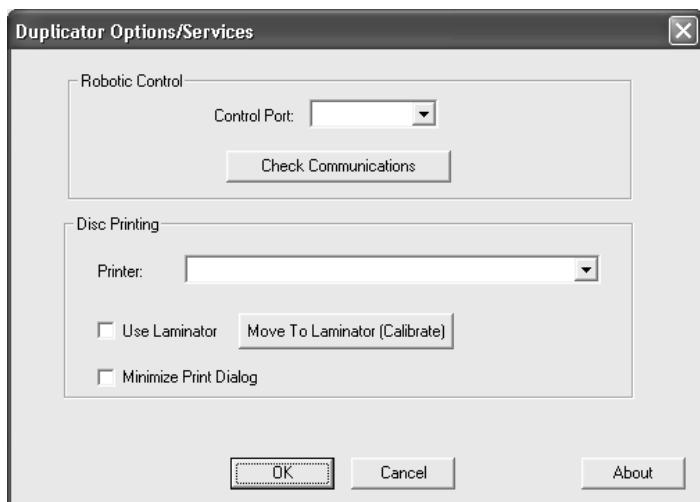
- c. If the Laminator Tray is not in the OUT position, press the **Laminate** button to eject the Laminator Disc Tray.
- d. From the Main Application Screen click **Robotics** then **Options**.
- e. Enable the Use Laminator checkbox.
- f. Click the button labeled **Move to (Calibrate)**. This will move the Picker Mechanism to the Laminator Tray position.



- g. Press and hold the **Pick** button on the front of the Duplicator for 5 seconds. The disc should automatically and hover just over the Laminator's Disc Tray.
- h. Manually move the Laminator on its stand until the Laminator Disc Tray is aligned perfectly with the disc in the Picker Mechanism.
- i. Press the **Pick** button a few times to pick and place the disc in the Laminator Tray to be sure it is aligned properly.

**NOTE:** *If the Picking Mechanism will not pick a disc from the Laminator Tray, make certain the Laminator is sitting on the Stand correctly. The Laminator's Rubber Feet should not rest on the stand but in the four holes located on the top of the stand. 7. The Laminator is now aligned properly. Once the Laminator's Heat Roller has achieved proper operating temperature (indicated by a solidly illuminated Ready LED on the Laminator's Control Panel), you are ready to laminate discs. Load the input bin with discs.*

- From the Main Application Screen click **Robotics** then **Options**. Select Lamination as shown:



- Set up your print and record job as you normally would per the Duplicator XL/Pro User's Manual.
- Click the red circle **Record** button to start your job!

## F. TROUBLESHOOTING

Problem	Resolution
Will not Laminate	<ul style="list-style-type: none"><li>• Check Power to the Laminator</li><li>• Make sure that the Ready LED is on and steady indicating the Laminator's Heat Roller has achieved normal operating Temperature</li></ul>
I do not see an option in PrimoDVD to laminate discs	<ul style="list-style-type: none"><li>• In PrimoDVD, click Robotics then Options. You should see a Laminate check box.</li><li>• If you do not see this option in the Robotic Options dialog box, install the software on the install disc provided with your Laminator Stand. There is an updater on this disc that will add this functional.</li></ul>
The Overlamine Film is not adhering properly to my discs; there are patchy areas where the film is not sticking to the disc label.	<ul style="list-style-type: none"><li>• Increase the heat setting with the Heat Slide Bar on the Laminator's Control Panel. Slide the Heat Setting one or two hash marks toward the front of the Laminator to increase the heat setting.</li></ul>
The Overlamine Film appears to be wrinkling, with scratch-like marks appearing across the surface of the disc	<ul style="list-style-type: none"><li>• Decrease the heat setting with the Heat Slide Bar on the Laminator's Control Panel. Slide the Heat Setting one or two hash marks toward the rear of the Laminator to decrease the heat setting.</li></ul>

## G. TECHNICAL SUPPORT

If you have difficulties in operating your Laminator, the procedures in this manual should, in most cases, solve the problem. If you still have difficulty, call Technical Support at the number listed on the insert in your Laminator supply pack.

