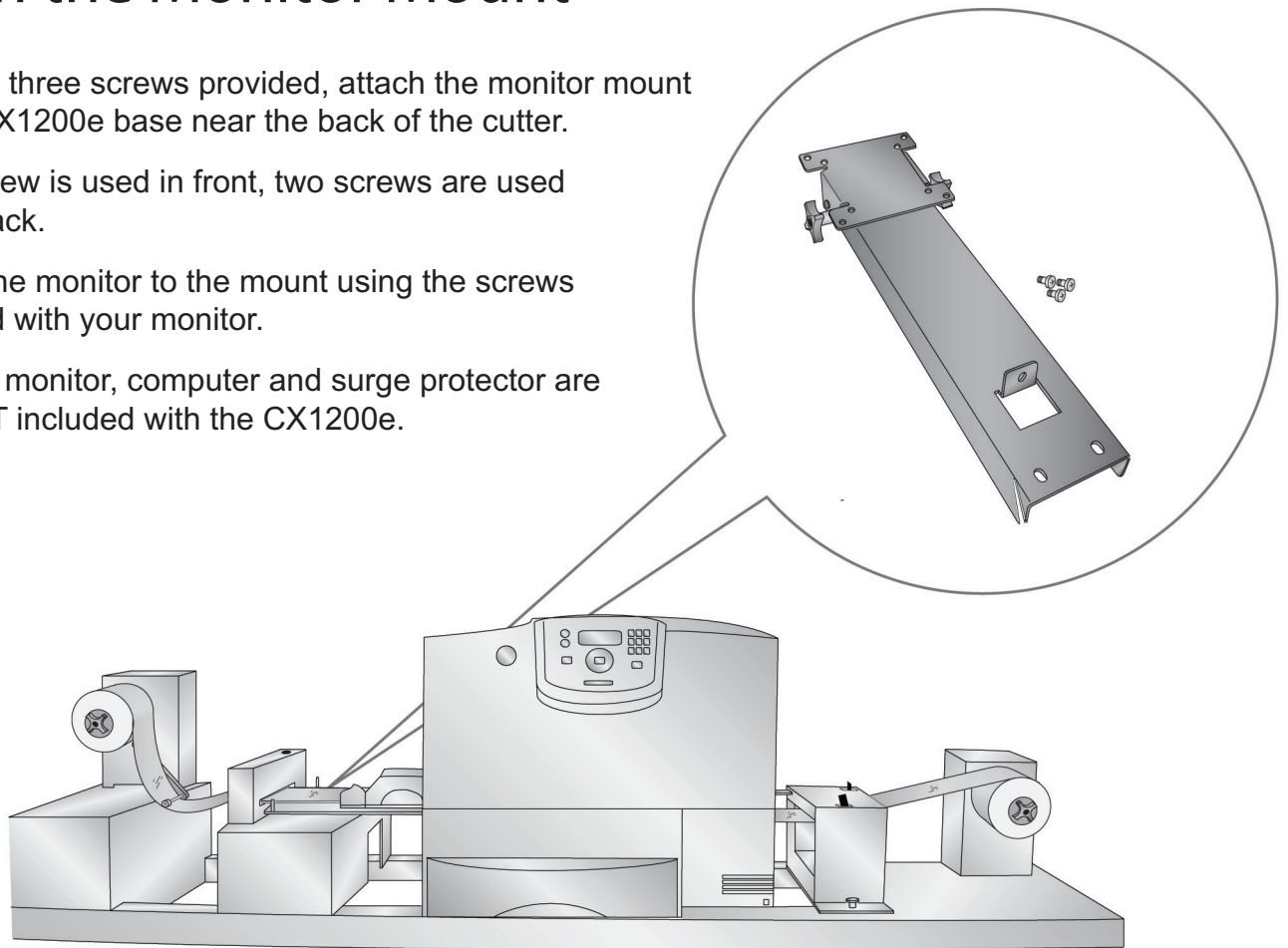


# Attach the Monitor Mount

1. With the three screws provided, attach the monitor mount to the CX1200e base near the back of the cutter.
2. One Screw is used in front, two screws are used in the back.
3. Attach the monitor to the mount using the screws provided with your monitor.

Note: The monitor, computer and surge protector are NOT included with the CX1200e.



# Attach the CX1200e to a Table

1. Use the four lag bolts included with the monitor mount to attach the CX1200e base to a table or bench.
2. Use the pre-drilled holes at the four location specified below.

**Warning:** To prevent serious injury you must bolt the CX1200e to a table or bench.

